

TDK FIBERGLASS DOORS

TDK INTERIOR ABS DOORS



**20 YEARS WARRANTY
AGAINST CORROSION >>>**

TDK DOORS

Integrity * Innovation * Energy Saving * Competitive Pricing

We stand behind our products

Warranty: TDK fiberglass doors have 20 years warranty against corrosion.

We design new specialty doors

Innovation: TDK engineering team continuously designs new specialty doors to better serve our customers' needs.



Corrosion is all around us—so prevalent that part of the United States is even known as the "Rust Belt." A significant portion of annual maintenance budgets is spent scraping, painting, and replacing assets damaged by corrosion. But when it comes to harsh environments, TDK fiberglass doors and TDK seamless ABS interior doors provide unmatched durability and protection.



TDK corrosion-resistant door is a high-quality door designed to withstand harsh environments, Our door is constructed with a PVC/Fiberglass extruded reinforced frame around the perimeter of the door panel, which provides additional strength and durability. The door panel is completely seamless, with no visible seams or gaps, and the door finish can be either ABS or fiberglass material.

Our door panel is available in two thicknesses: 1-3/4" and 4". 1-3/4" door can be made into either swing or sliding service door , insulated 4" swing door is specifically designed for use in cold storage environments.

TDK corrosion resistant doors are ideal for use in industrial settings where exposure to corrosive materials is common, such as seafood processing plants, pharmaceutical factories and other environments that require high levels of environmental protection.



PRODUCT SELECTION CHART

01

FRP 1500

Features: Molded one continuous fiberglass door panel

Attractive finish and higher cost

02

FRP 500

Features: Fiberglass sheet chemical welding with reinforcement tube

Economy choice and fast delivery

03

ABS 500

Features: Interior and a lot moisture

Seamless ABS door panel, lower cost

04

SD 500A / F

Features: Exterior and interior, need sliding open/close corrosion environment

Meat processing factory and sea food factory

05

AF 1000

Features: Cooler for high moisture application, wash down every day

Meat processing factory and sea food factory

FRP 1500

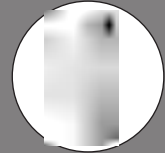
Molded one continuous fiberglass door panel.



FRP 1500: Resin gel coat color molded in fiberglass finish.

Suitable for both interior and exterior application.

Standard Color: White.



Foam core & Inside reinforcement



Gel coat finish



Royal Blue



Metallic Gray



Black



Cloud Gray



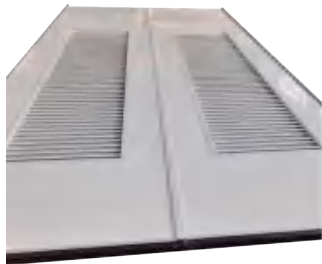
Beige



Red

Door Panel

- Molded One Piece
- 1-3/4" Door Panel
- No Mitered Corner and Seams At The Panel Edge



Options

- Window Sizes
- Bumper or Impact/Kick Plate
- Prep For Lock and Hinge
- Push/Pull



Corner Details of FRP 1500

Applications

- Retail
- Restaurant
- Supermarket
- Institutional
- Industrial
- Warehouse
- Chemical Plant
- Food Processing
- Pharmaceutical

Environments

- Wash Down
- Corrosion Resistance

FRP 500

Structural extrusion components are permanently chemical welding to the face sheets and core material.



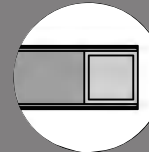
FRP 500: Fiberglass finish.

With reinforcement framework
Suitable for both interior and exterior application.

Standard Color: White.



Continuous hinge



Plastic honey comb core / Foam core



Royal Blue



Metallic Gray



Black



Cloud Gray



Beige



Red

Door Panel

- Different Fiberglass Finish is Available
- Economy Panel Choice and Fast Delivery



Options

- Window Sizes
- Push/Pull
- Impact/Kick Plate
- Prep For Lock and Hinge



4" Single Rabbet

Applications

- Retail
- Restaurant
- Supermarket
- Institutional
- Industrial
- Warehouse
- Chemical Plant
- Food Processing
- Pharmaceutical

Environments

- Wash Down
- Corrosion Resistance

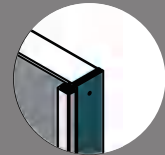
ABS 500

This door is for food processing where need washdown every day.

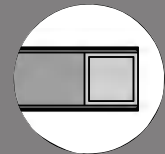


ABS 500: impact resistant ABS finish.

Interior door only.



Continuous hinge or prep for customer's hinge and lock



Plastic honey comb core



Royal Blue



Metallic Gray



Black



Cloud Gray



Beige



Red

Door Panel

- 1-3/4" Door Panel
- Polyethylene Foam Core Chemically Bonded with ABS Finish



Options

- Window Sizes
- Push/Pull
- Impact/Kick Plate
- Prep For Lock and Hinge



Aluminum Pultrusion Door Frame

Applications

- Retail
- Restaurant
- Supermarket
- Institutional
- Industrial
- Warehouse
- Chemical Plant
- Food Processing
- Pharmaceutical

Environments

- Interior
- Wash Down
- Corrosion Resistance

SD 500A/F

In a washdown application SD 500A/F is perfect for fast traffic.



TDK corrosion-resistant doors include two types of sliding doors: SD 500A and SD 500F. Both door panels are 1-3/4" thick, can be either manual or motorized, single sliding or bi-parting. SD 500A has ABS finish. SD 500F has fiberglass finish.

They both have a seamless door panel and can be washed down every day.



Foam Core

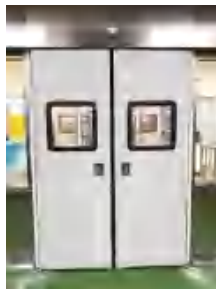


Plastic honey comb core

Royal Blue Metallic Gray Black Cloud Gray Beige red

Door Panel

- 1-3/4" Door Panel
- Plastic Honey Comb or Foam Core
- Chemically Bonded ABS/Fiberglass



Options

- Window Size
- Single Pane/Double Panes
- Impact/Kick Plate
- Cart Guards
- Push Plate
- Pull Handle



Applications

- Pharmaceutical
- Cold Storage
- Food Processing
- Industrial
- Chemical plant
- Warehouse

Types of Traffic

- Personnel
- Cart
- Pallet Jack
- Motorized Pallet Jack

Environments

- Temperature - Cooler
- Wash Down
- Corrosion Resistance

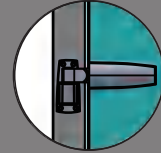
AF 1000

The only door can be washdown every day in a cooler or freezer application.

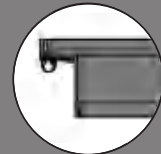


AF 1000 corrosion-resistant swing door by TDK is specifically designed for food processing facilities that require insulation and chemical wash down simultaneously.

AF 1000 finish is available in either ABS or fiberglass, and different hinge and lock options are available.



Cooler door hinge



Door panel details



Royal Blue



Metallic Gray



Black



Cloud Gray



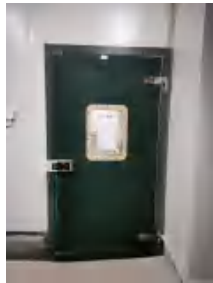
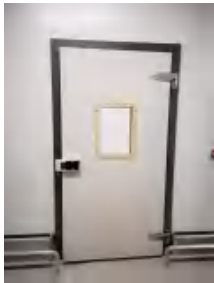
Beige



Red

Door Panel

- 4" Thick Door Paner
- Heater Available For Freezer



Options

- Window
- ABS/FRP finish
- Impact/Kick Plate
- Lock



Applications

- Pharmaceutical
- Food Processing
- Chemical Plant
- Cold Storage
- Industrial
- Warehouse

Types of Traffic

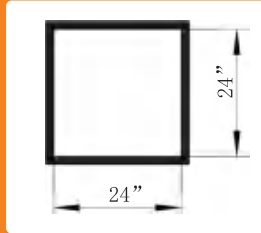
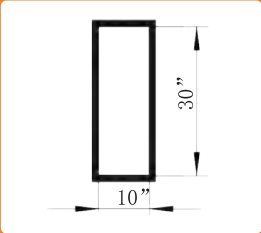
- Personnel

Environments

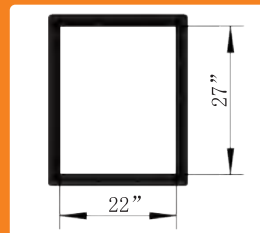
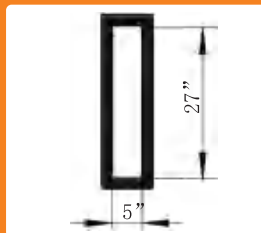
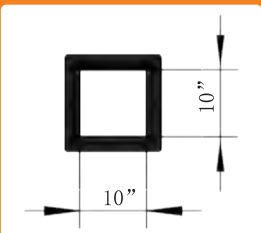
- Temperature - Cooler
- Wash Down
- Corrosion Resistance



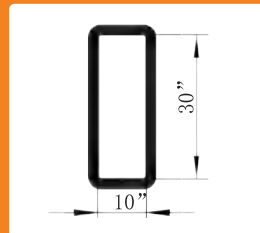
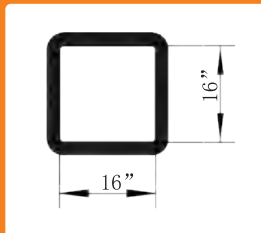
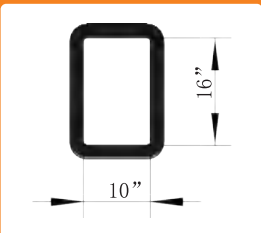
Minimum Panel Thickness: 1.34"
1/8" Single Pane

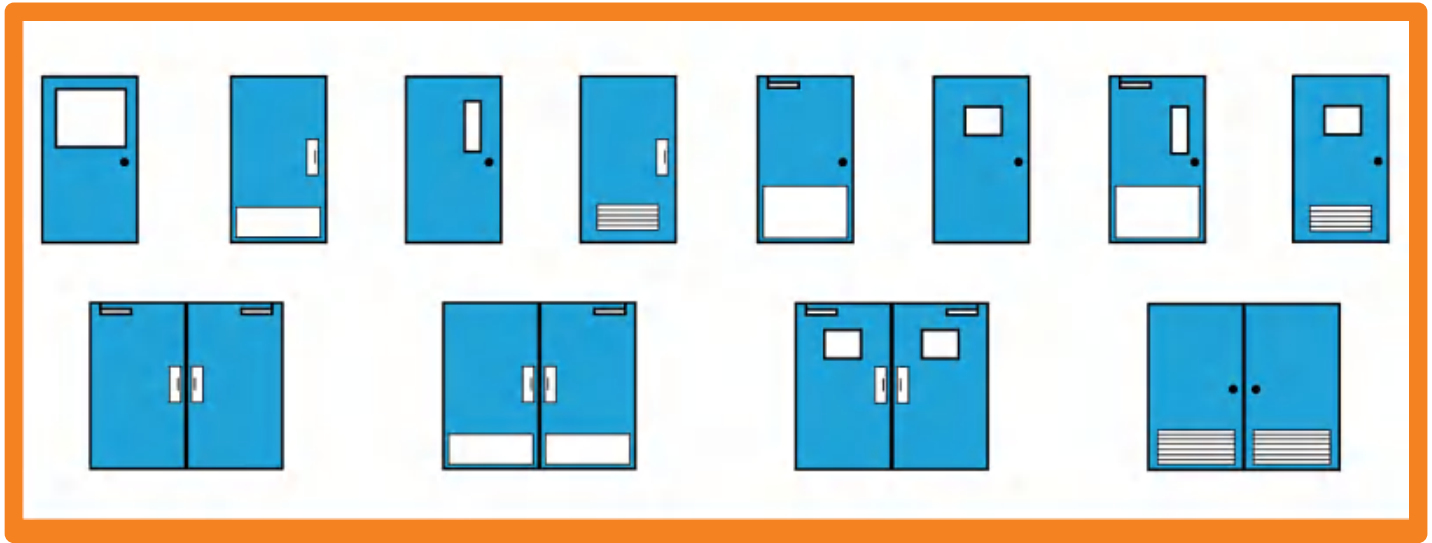


Minimum Panel Thickness: 1.58"
1/8" Single Pane

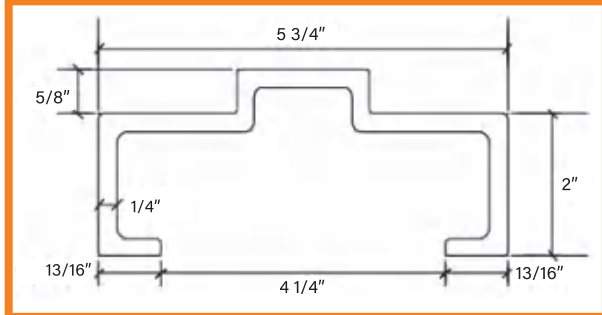


Minimum Panel Thickness: 1"
1/8" Single Pane

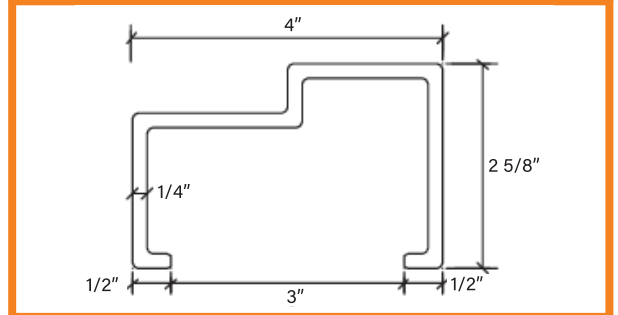




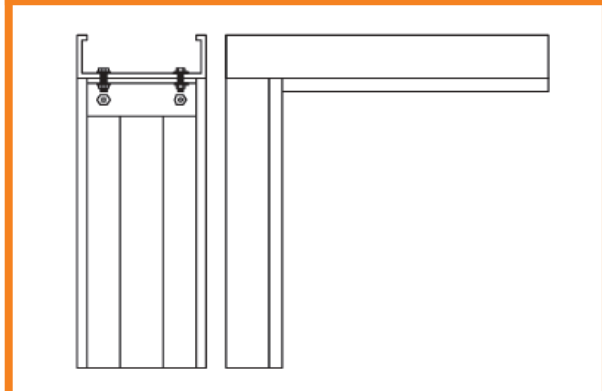
DOUBLE RABBET FRAME WITH 4" THROAT



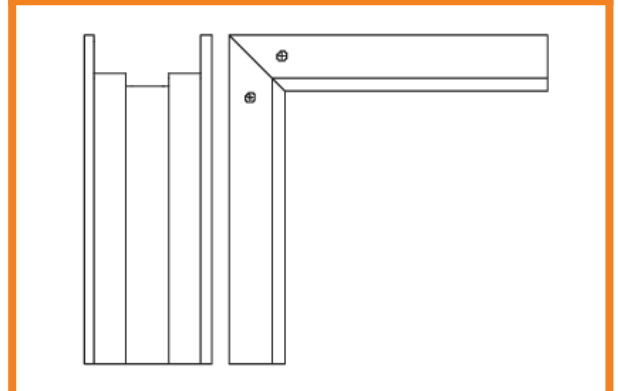
STANDARD SINGLE RABBET FRAME



**STRAIGHT CUT HEADER ATTACHMENT
(NO EXPOSED FASTENERS ON FACE)**



**MITER CUT HEADER ATTACHMENT (SS FASTENERS
CONCEALED-WITH PLASTIC COVER)**



MORE PRODUCTS >>>



Special Traffic Doors



High Speed Doors



Fiberglass Doors



Cold Storage Doors

TDK Canada

TDK Doors Inc.

Address: 3211 152nd Street, Building 3211 C,
Suite 402, Surrey, BC, V3Z 1H8

Tel: + 360 548 9123

